

CBR40H-4

TAVOLA RICAMBI BOZZELLO E GANCIO
HOIST BLOCK AND HOOK SPARE PARTS TABLE
TABLEAU PIECES MOUFLE ET CROCHET
ERSATZTEIL LISTE FÜR HAKENFLASCHE
LISTA DE REPUESTOS APAREJO CON GANCHO

Istruzioni per l'uso
Instructions for use
Mode d'emploi
Gebrauchsanleitung
Instrucciones de uso

Esempio
Example
Exemple
Beispiel
Ejemplo

A	0010
B	350241002
C	1
D	FINECORSA LIMIT SWITCH FIN DE COURSE ENDTASTER FINAL DE CARRERA
E	PF FLH060 17006005010

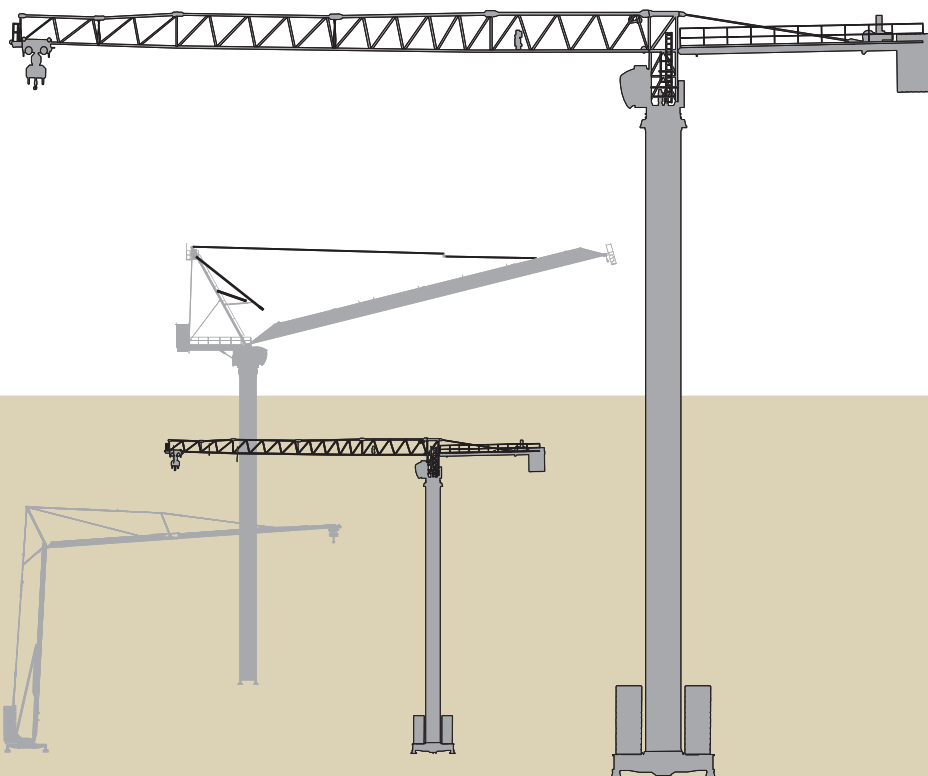
I A: posizione di riferimento
 B: codice di riferimento
 C: quantità
 D: descrizione nelle varie lingue
 E: stringa tecnica

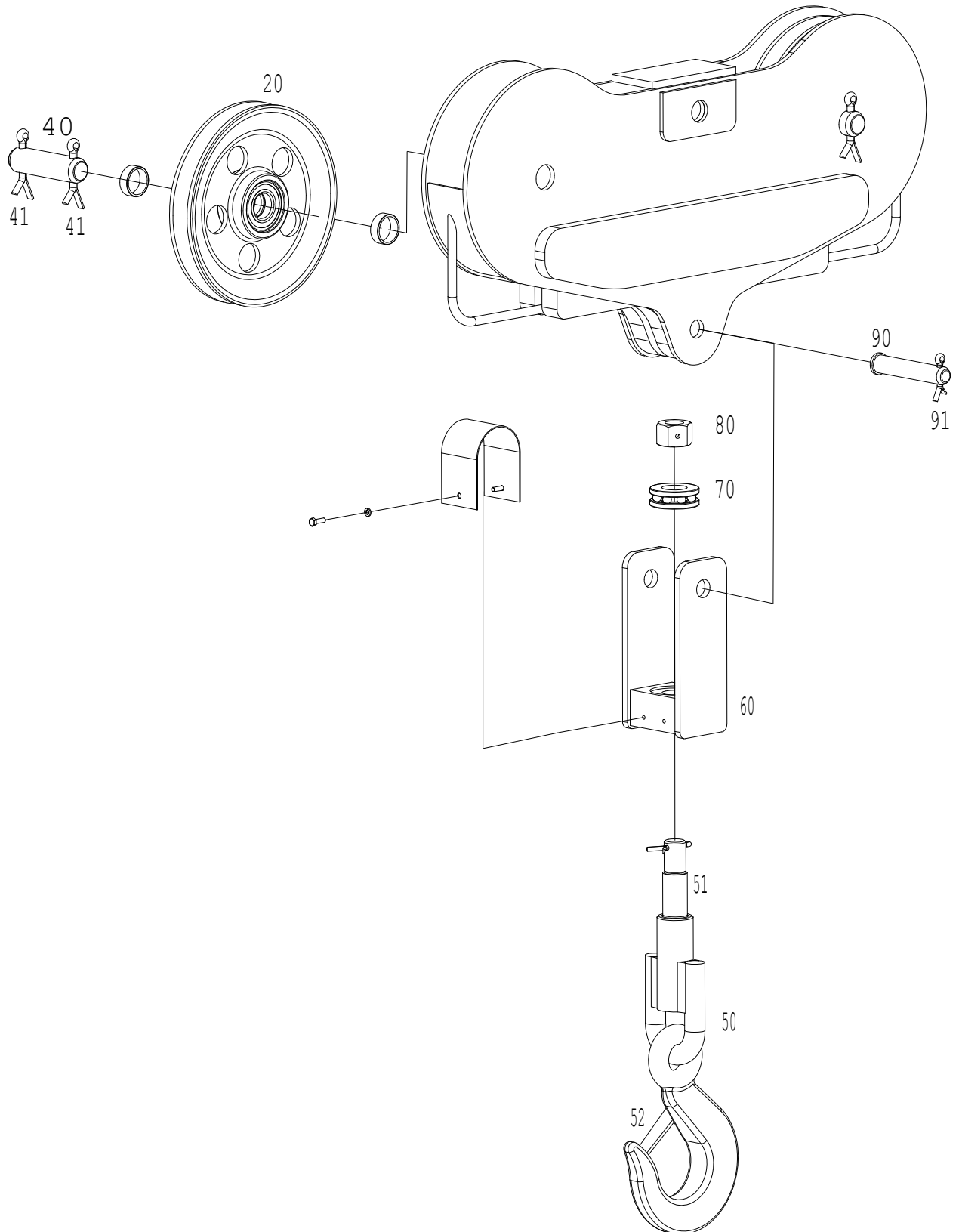
GB A: part reference number
 B: part code
 C: part quantity
 D: designation for the various languages
 E: technical data

F A: repère
 B: référence particulière
 C: quantité particulière
 D: description dans les autres langues
 E: données techniques

D A: Referenznummer
 B: Einzelheiten-Code
 C: Anzahl Einzelheiten
 D: Beschreibung in verschiedenen Sprachen
 E: Technische Daten

E A: posición de referencia
 B: código de referencia
 C: cantidad
 D: descripción en diferentes idiomas
 E: datos técnicos





 <p>code 2-53523094</p>	<p>A 0020 B 2-53523094 C 2 D PULEGGIA PULLEY PULIE SEILSCHEIBE POLEA E D.280</p>	 <p>code 840208009</p>	<p>A 0070 B 840208009 C 1 D CUSCINETTO BEARING ROULEMENT LAGER RODAMIENTO E 51307</p>
 <p>D = 35 mm L = 90 mm code 3-78635090</p>	<p>A 0040 B 3-78635090 C 2 D PERNO PIN AXE BOLZEN PERNO E CT 35X92 39NICRMO3 Z</p>	 <p>code 881231008</p>	<p>A 0080 B 881231008 C 1 D DADO NUT ECROU MUTTER TUERCA E CL6 5593 M30 N INTAGLI</p>
 <p>115mm code 883130009</p>	<p>A 0041 B 883130009 C 4 D COPIGLIA SPLIT PIN GOUPILLE SPLINT CHAVETA E 4.8 1336 10X80</p>	 <p>135mm code 3-78825115</p>	<p>A 0090 B 3-78825115 C 1 D SPINA PIN AXE BOLZEN SAPGNOLR E CT 25X115 39NICRMO3 Z</p>
 <p>550mm code 3-55642005</p>	<p>A 0050 B 3-55642005 C 1 D GANCIO HOOK CROCHET HAKEN GANCHO E T4 OGR 150S</p>	 <p>50mm code 883130014</p>	<p>A 0091 B 883130014 C 1 D COPIGLIA SPLIT PIN GOUPILLE SPLINT CHAVETA E 8X50 Z</p>
 <p>code 883847004</p>	<p>A 0051 B 883847004 C 1 D SPINA PIN AXE BOLZEN ESPINA E 6873 6X60</p>		
 <p>100mm code 862204001</p>	<p>A 0052 B 862204001 C 1 D SICUREZZA GANCIO SAFETY HOOK CROCHET DE SICURITE HALTERUNG GANCHO DE SEGURIDAD E 4T</p>		
	<p>A 0060 B 3-55647005 C 1 D MAZZETTA C/GANCIO HOOK KIT KIT CROCHET HALTERUNG APAREJO E 32/36/40</p>		

Effective Date: February 2011. Product specifications and prices are subject to change without notice or obligation. The photographs and/or drawings in this document are for illustrative purposes only. Refer to the appropriate Operator's Manual for instructions on the proper use of this equipment. Failure to follow the appropriate Operator's Manual when using our equipment or to otherwise act irresponsibly may result in serious injury or death. The only warranty applicable to our equipment is the standard written warranty applicable to the particular product and sale and Terex makes no other warranty, express or implied.

Products and services listed may be trademarks, service marks, or trade names of Terex Corporation and/or its subsidiaries in the USA and other countries. All rights are reserved. Terex is a registered trademark of Terex Corporation in the USA and many other countries.

Copyright (or ©) 2008 Terex Corporation.